

Sunbeam

SERVICE MANUAL

EM0480

Coffee Burr Grinder



ISSUE: A

DATE: 7 April 2005

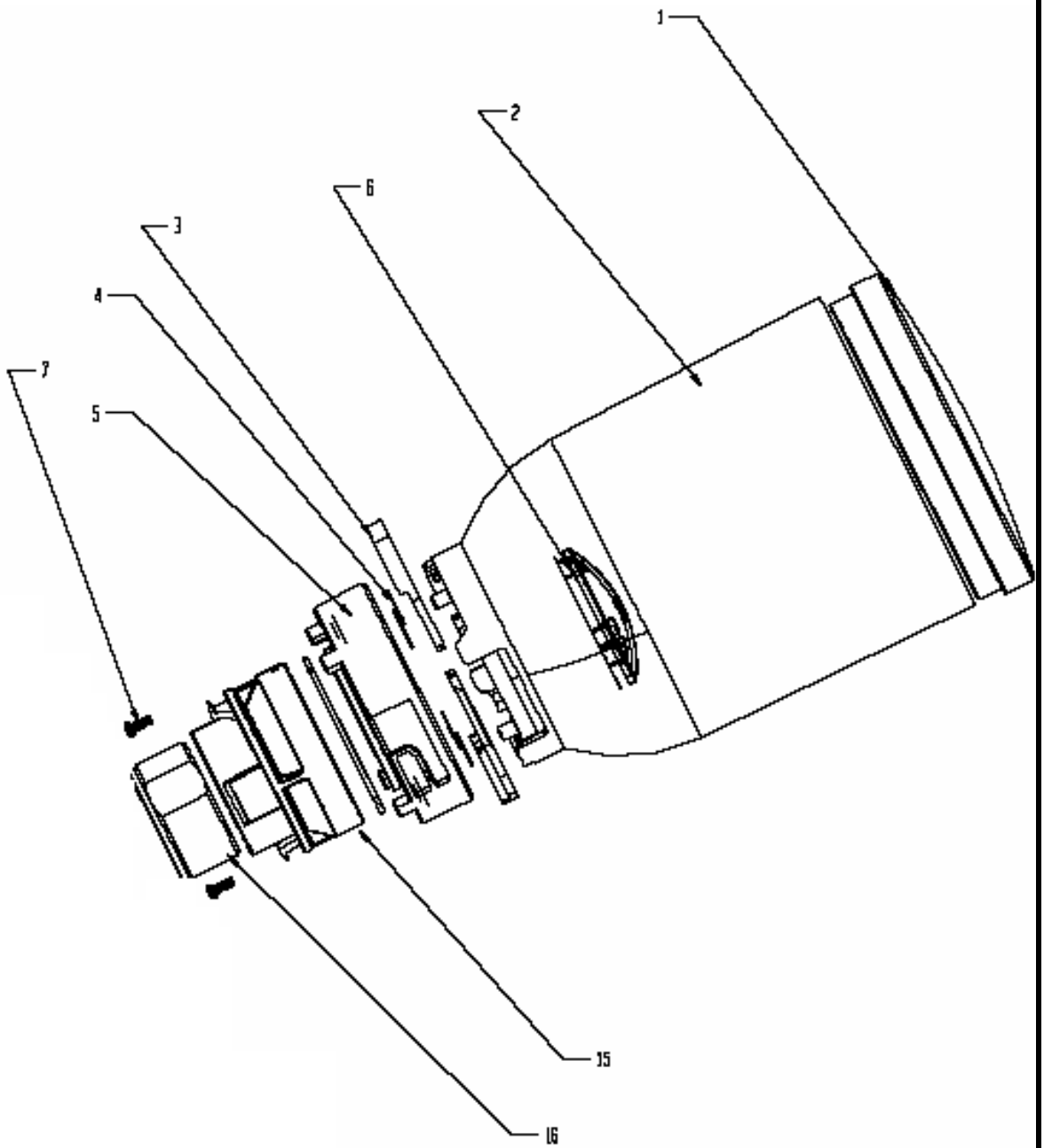
SPARE PARTS LIST

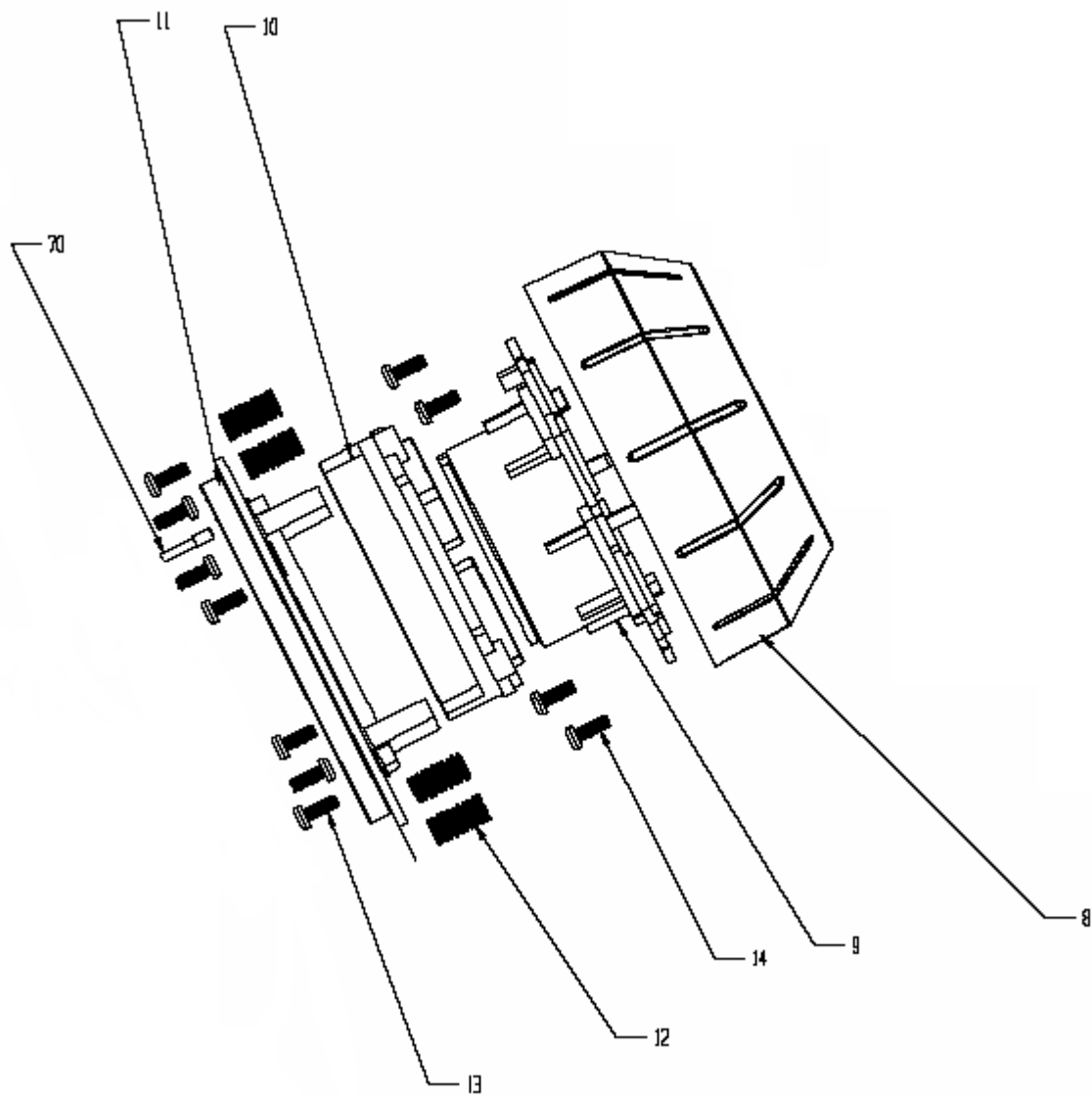
Note: Not all parts are available as spare parts. Please check price list.

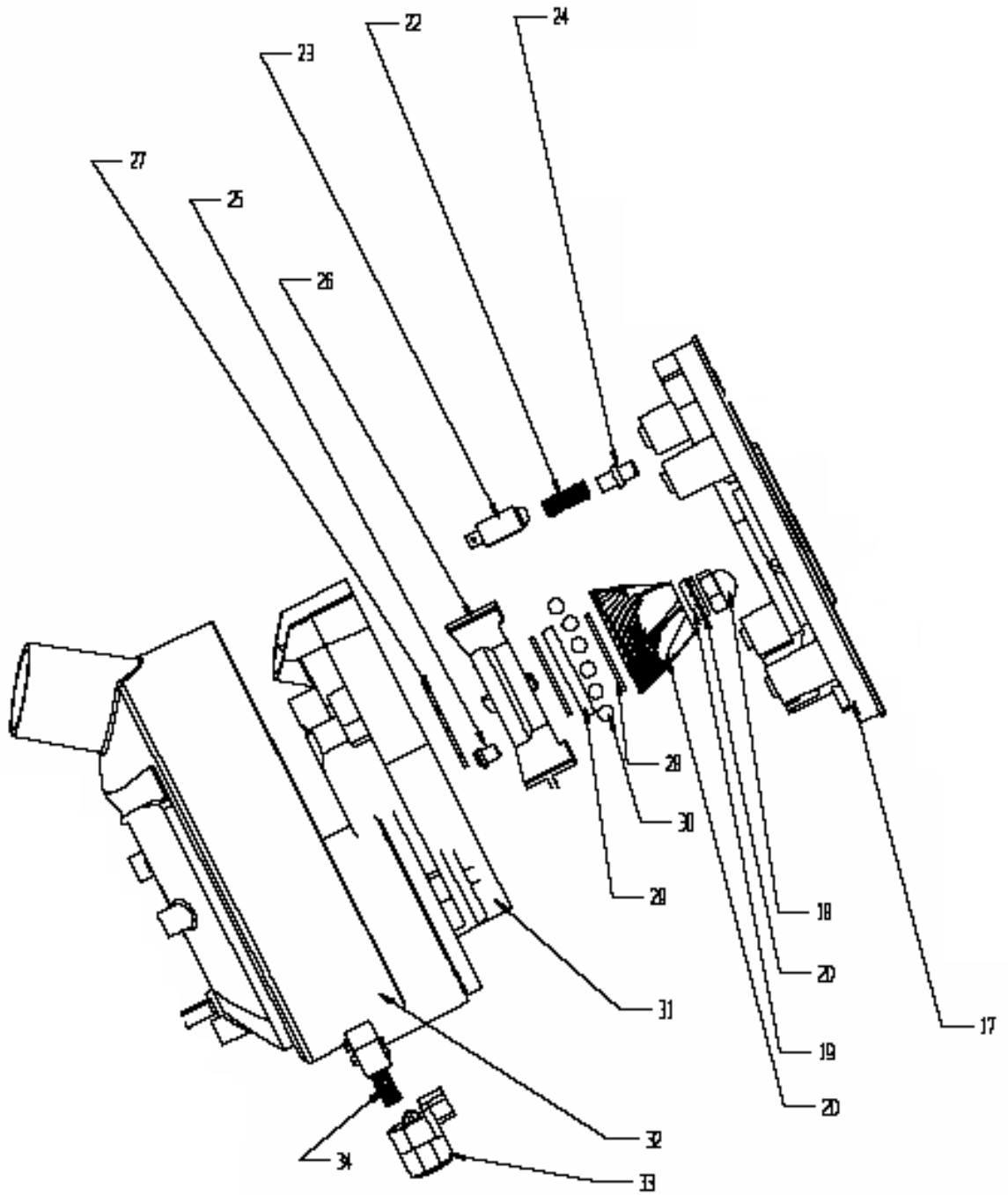
| Item | Description | No. of Parts | Supplier's Code | Sunbeam Part No. |
|------|-----------------------|--------------|-----------------|--|
| 1 | Hopper Lid | 1 | C3-1008 | EM0480101 |
| 2 | Hopper | 1 | C3 -1005 | EM0480102 Hopper assembly |
| 3 | Blade | 2 | C3 -2106 | |
| 4 | Spring | 2 | 38 -5092 | |
| 5 | Hopper Base | 1 | C3 -2006 | |
| 6 | Hopper Small Cover | 1 | C3 -2004 | |
| 7 | Screw | 2 | 31-5006-SS | |
| 8 | Dial | 1 | C23-1131 | |
| 9 | Dial Insert | 1 | C3 -2015 | |
| 10 | Safety Switch Bracket | 1 | C3 -2005 | |
| 11 | Dial Base | 1 | C3 -2004 | |
| 12 | Dial Spring | 4 | 38-5094 | |
| 13 | Screw | 4 | 31-3004-SS | |
| 14 | Screw | 4 | 31-1006 | |
| 15 | Top - Burr | 1 | C3-1004 | |
| 16 | Top Burr Base | 1 | C23-8060 | |
| 17 | Coffee Cover | 1 | C3-2003 | |
| 18 | Cap Nut | 1 | C23-1145 | |
| 19 | Inter Washer | 1 | 34-7028 | |
| 20 | Burr Blade | 1 | C23-1150 | |
| 21 | Bottom Burr | 1 | C213-8059 | |
| 22 | Safety Switch Spring | 1 | 38-5093-2 | |
| 23 | Micro Switch | 1 | 089-8024-01 | |
| 24 | Safety Switch Rod | 1 | C3-1012 | |
| 25 | Paddle Rod | 1 | C23-2215 | |
| 26 | Paddle | 1 | C3-9024 | |
| 27 | Paddle Plate | 1 | C23-2212 | |
| 28 | Bearing Washer | 2 | C23-2226 | |
| 29 | Thrust Bearing Plate | 1 | C3-2007 | |
| 30 | Ball 040613 | 6 | C23-8064 | |
| 31 | Coffee Chute | 1 | C3-2002 | |
| 32 | Coffee Outlet | 1 | C3-1007 | |
| 33 | Lock Button | 1 | C3-1007 | |
| 34 | Lock Spring | 1 | 38-5093-1 | |
| 35 | Screw | 3 | 31-1067 | |
| 36 | Main Housing | 1 | C23-1130 | |
| 37 | Push Switch Bracket | 1 | C3-2001 | |
| 38 | Push Switch Spring | 2 | 38-5095 | |
| 39 | Micro Switch | 1 | 089-82014-02 | |
| 40 | Push Switch Leaf | 1 | C3-2000 | |

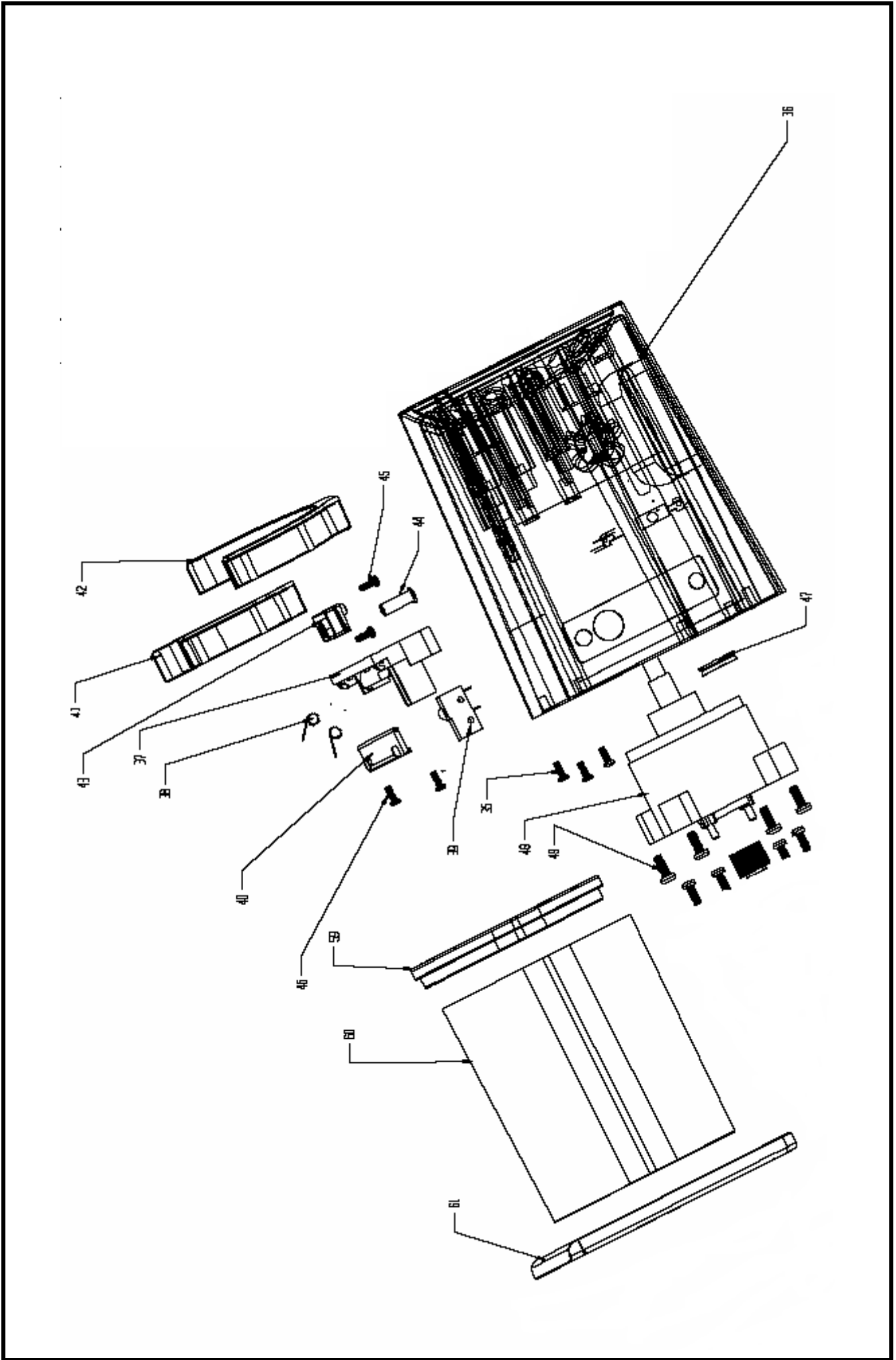
| Item | Description | No. of Parts | Supplier's Code | Sunbeam Part No. |
|-------------|----------------------------|---------------------|------------------------|-------------------------|
| 41 | Group handle locator small | 1 | C3-1003 | EM0480106 |
| 42 | Group handle locator large | 1 | C3-1010 | EM0480107 |
| 43 | T Piece | 1 | C3-1002 | |
| 44 | Push Switch Rod | 1 | C23-1143-SS | |
| 45 | Screw | 2 | 31-1006 | |
| 46 | Screw | 2 | 31-1100 | |
| 47 | NBR Seal | 1 | 45-6196 | |
| 48 | Gear Box | 1 | 18-8100 | |
| 49 | Screw | 4 | 31-1020 | |
| 50 | Motor Group | 1 | 50-2043 | |
| 51 | Screw - 1 | 4 | 31-1064 | |
| 52 | Gasket | 4 | 34-2014 | |
| 53 | Rubber Cushion | 4 | 45-6194 | |
| 54 | Motor Bracket | 1 | C23-2209 | |
| 55 | Toggle Switch Bracket | 1 | C3-9025 | |
| 56 | Toggle Switch | 1 | 50-1060 | |
| 57 | Blade | 1 | 20-2035 | |
| 58 | Screw- 1 | 3 | 31-1141 | |
| 59 | Storage container lid | 1 | C3-1009 | EM0480103 |
| 60 | Storage container | 1 | C3-1006 | EM0480104 |
| 61 | Rubber mat | 1 | C3-6003 | EM0480105 |
| 62 | Base Casting | 1 | C23-1132 | |
| 63 | Screw - 1 | 9 | 31-1076 | |
| 64 | Base Cover | 1 | C3-5000 | |
| 65 | Feet Rubber | 4 | 45-6195 | |
| 66 | Screw - 1 | 8 | 31-1339 | |
| 67 | Power Cord | 1 | 17-33002-1B | |
| 68 | Cable Clamp | 1 | C3-2112 | |
| 69 | Screw - 3 | 6 | 31-1005 | |
| 70 | Location Pin | 1 | C23-2216-SS | |
| | Burr cleaning brush | | | EM0480108 |
| | Spacer | | | EM0480109 |
| | | | | |

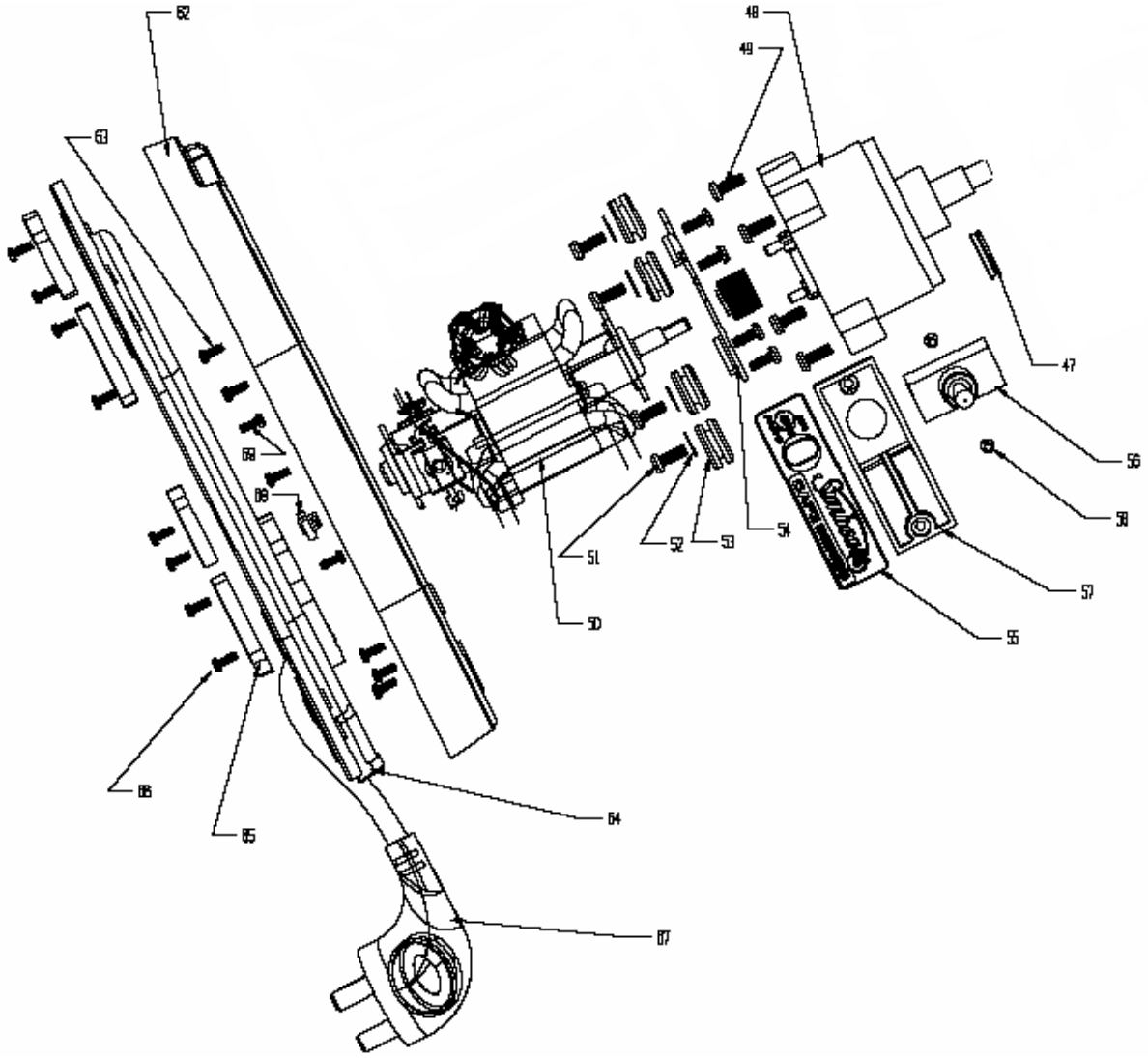
EXPLODED VIEW DRAWING



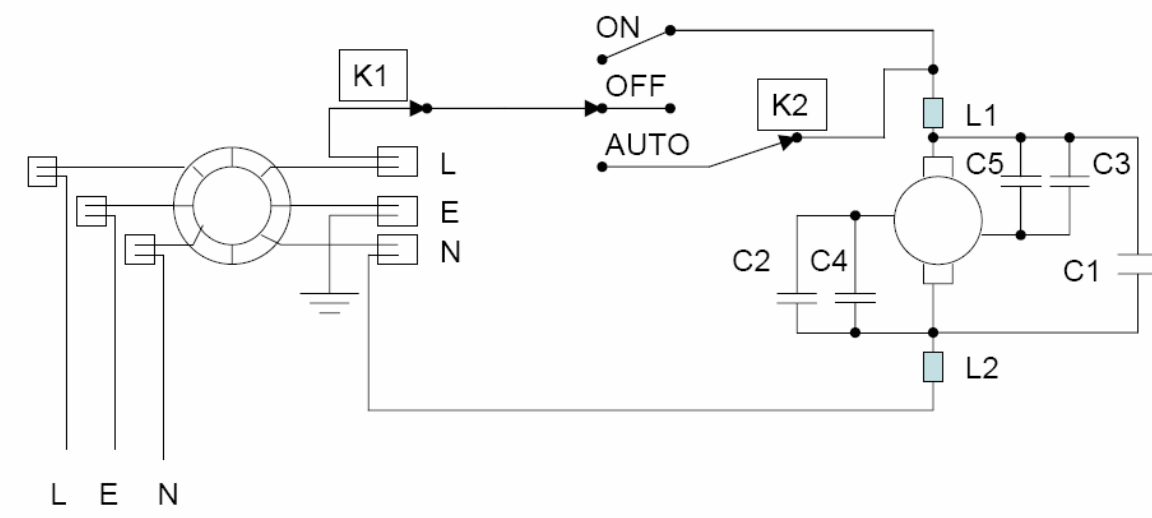








CIRCUIT DIAGRAM



POWER CORD

K1: safety switch
K2: push switch